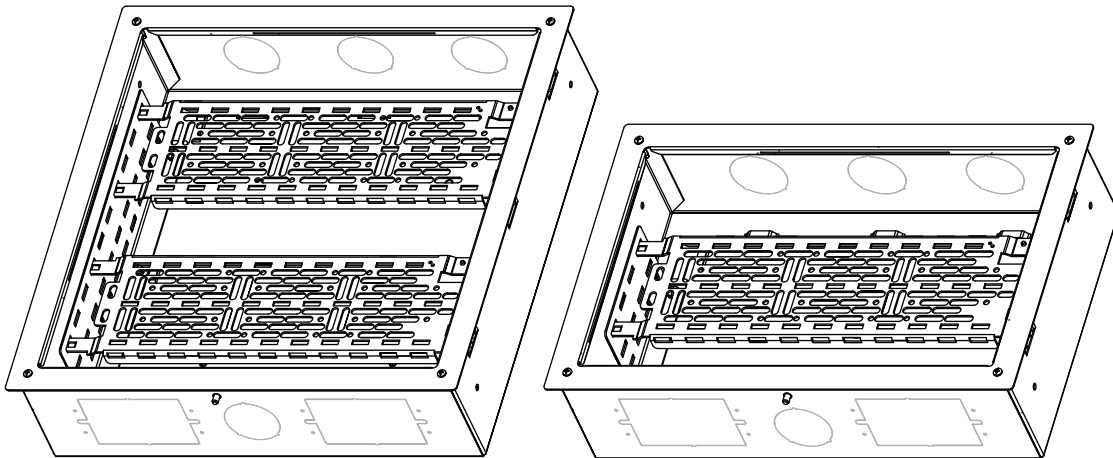


INSTRUCTION SHEET

PRX-WB-14X14 AND PRX-WB-9X14 PROXIMITY IN-WALL BOXES



THANK YOU

Thank you for purchasing the PRX-WB-14X14 or PRX-WB-9X14 Proximity Series In-Wall Box. Please read these instructions thoroughly before installing or assembling this product.

PRODUCT FEATURES

- Provides storage of AV components and power that can be hidden behind a wall-mounted display.
- Available in 14" x 14" (PRX-WB-14X14) or 9" x 14" (PRX-WB-9X14) sizes designed to fit between adjacent wall studs aligned to 16" centers.
- Knockouts provided for power and cable management.
- Total Weight Capacity: 15 lbs.

IMPORTANT SAFETY INSTRUCTIONS

- Read these instructions.
- Heed all warnings.
- Clean only with dry cloth.
- Keep these instructions.
- Follow all instructions.
- Only use attachments/accessories specified by the manufacturer.



DANGER HAZARDOUS VOLTAGE: The lightning flash with the arrowhead symbol, within an equilateral triangle is intended to alert the user to the presence of uninsulated dangerous voltage within the product's enclosure that may be of sufficient magnitude to constitute a risk of electric shock to persons.



WARNING: A warning alerts you to a situation that could result in serious personal injury or death.



CAUTION: A caution alerts you to a situation that may result in minor personal injury or damage to the product and/or property.

NOTE: A note is used to highlight procedures pertaining to the installation, operation, or maintenance of the product.



WARNING: Failure to read, understand and follow the following information can result in serious personal injury, damage to the equipment or voiding of the warranty.



WARNING: Failure to provide correct structural strength for the component may result in serious personal injury or damage the equipment.



WARNING: Exceeding the weight capacity may result in personal injury or equipment damage. The combined weight of all components attached to the mount must not exceed 15 lbs. (6.80 kg).



WARNING: Use this product for its intended use and only use attachments recommended by the manufacturer.



WARNING: Not intended for outdoor use.



WARNING: Intended only for indoors use and in dry locations.



WARNING: The product is designed to be mounted to a 2" x 4" wood stud wall 16" on center or to a 2" x 4" -25ga (minimum) steel stud wall.



CAUTION: All installation and assembly steps must be performed by qualified personnel.



CAUTION: Power cord(s), for fans or other accessories, need to be secured to ensure that they are routed away from pinch points and moving parts.



CAUTION: The following parts are not effectively bonded to the protective earth terminal: Rack rails, lace bars, Lever Lock™, shelves, baffle, blanking panels, fans, and cable management. If any part needs to be bonded to the protective earth terminal it shall be done in accordance with Article 250 of the National Electrical Code.

NOTE:

- In the U.S., the equipment shall be installed per the applicable requirements of the National Electrical Code, ANSI/NFPA 70.
- In Canada, the equipment shall be installed per the applicable requirements of the Canadian Electrical Code, CSA C22.1.
- It is the installer's responsibility to ensure that the enclosure is bonded to the ground in the switch box in accordance with the National Electrical Code, ANSI/NFPA 70 or Canadian Electrical Code, CSA C22.1. A grounding screw is provided in the enclosure for the purpose, if required.

INSTRUCTIONS IMPORTANTES SUR LA SÉCURITÉ

- Lire ces instructions.
- Respectez tous les avertissements.
- Nettoyer uniquement avec un chiffon sec.
- Conservez ces instructions.
- Suivez toutes les instructions.
- N'utilisez que des accessoires spécifiés par le fabricant.



DANGER TENSION DANGEREUSE: Le symbole de la pointe de flèche, dans un triangle équilatéral, est destiné à alerter l'utilisateur sur la présence de tension dangereuse non isolée dans l'enceinte du produit qui peut être d'une ampleur suffisante pour constituer un risque d'électrocution.



AVERTISSEMENT: Un avertissement vous avertit d'une situation pouvant entraîner des blessures graves ou la mort.



ATTENTION: Une attention vous avertit d'une situation pouvant entraîner des blessures mineures ou des dommages au produit et/ou à la

REMARQUE: Une remarque est utilisée pour mettre en évidence les procédures relatives à l'installation, au fonctionnement ou à l'entretien du produit.



AVERTISSEMENT: Ne pas lire, comprendre et suivre les informations suivantes peut entraîner des blessures graves, des dommages à l'équipement ou de la nullité de la garantie.

INSTRUCTIONS IMPORTANTES SUR LA SÉCURITÉ (A CONTINUÉ)



AVERTISSEMENT: Le défaut de fournir une résistance structurelle correcte pour le composant peut entraîner des blessures graves ou endommager l'équipement.



AVERTISSEMENT: Dépasser la capacité de poids peut entraîner des blessures ou des dommages matériels. Le poids combiné de tous les composants attachés à la monture ne doit pas dépasser 6.80 kg (15 lbs.).



AVERTISSEMENT: Utilisez ce produit pour son utilisation prévue et utiliser uniquement les accessoires recommandés par le fabricant.



AVERTISSEMENT: Non destiné à une utilisation en extérieur.



AVERTISSEMENT: Prévu uniquement pour une utilisation à l'intérieur et dans des endroits secs.



AVERTISSEMENT: Le produit est conçu pour être monté sur un mur à ossature 2" x 4" bois 16" au centre ou à un 2" x 4" -25ga (minimum) mur à ossature d'acier.



AVERTISSEMENT: Toutes installation et de montage étapes doivent être effectuées par du personnel qualifié.



AVERTISSEMENT: Le cordon d'alimentation (s), pour les fans ou autres accessoires, doivent être fixé à veiller à ce que ils sont acheminés loin des points de pincement et des pièces mobiles.



ATTENTION: Les pièces suivantes ne sont pas correctement liés à la borne de terre de protection: rails de rack, des bars de dentelle, Lever Lock™, des étagères, des chicanes, des panneaux d'obturation, ventilateurs, et la gestion des câbles. Si une partie doit être lié à la borne de terre de protection, il doit être fait conformément à l'article 250 du Code national de l'électricité.

REMARQUE:

- Aux États-Unis, l'équipement doit être installé conformément aux exigences applicables du Code national de l'électricité, ANSI/NFPA 70.
- Au Canada, l'équipement doit être installé conformément aux exigences applicables du Code canadien de l'électricité, CSA C22.1.
- Il est de la responsabilité de l'installateur de veiller à ce que l'enceinte est liée à la terre dans la boîte de commutation en conformité avec le National Electrical Code, ANSI / NFPA 70 ou le Code canadien de l'électricité, CSA C22.1. Une vis de terre est prévue dans l'enceinte à cet effet, si nécessaire.

WEIGHT RATINGS

Model	Weight Rating
PRX-WB-14X14	15 lbs. Maximum Total Rated Load
PRX-WB-9X14	15 lbs. Maximum Total Rated Load



WARNING: This box is intended for use only with the products and maximum weights indicated. Use with other products or products heavier than the maximum weights indicated may result in instability causing possible injury. Total equipment weight must not exceed 15 lbs. (6.80 kg).



AVERTISSEMENT: Ce boîte est destiné à être utilisé uniquement avec les produits et les poids maximaux indiqués. En cas d'utilisation avec d'autres produits ou des produits plus lourds que le poids maximal indiqué, le chariot peut devenir instable et causer des blessures. Le poids total de l'équipement ne doit pas dépasser 6.80 kg (15 lbs.).

SPECIFICATIONS

Heights: 14.25" and 9.25"

Widths: 14.25"

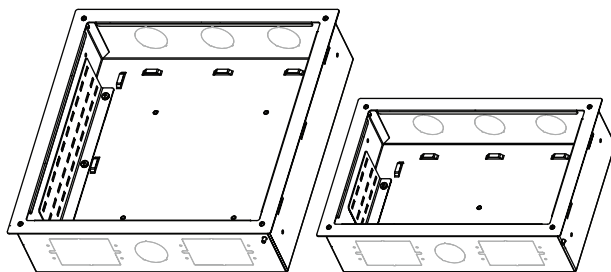
Depths: 3.75"

DUPLEX OUTLET POWER KIT (F7526-V1)

120 VAC

15 Amps

SUPPLIED COMPONENTS AND HARDWARE



In-Wall Box
(14" or 9" Height)

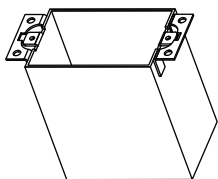
A



(8x) Trim Screw
(4x Installed,
4x in Hardware Bag)

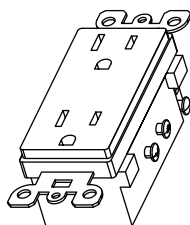
B

DUPLEX OUTLET POWER KIT (F7526-V1)



Junction Box

C

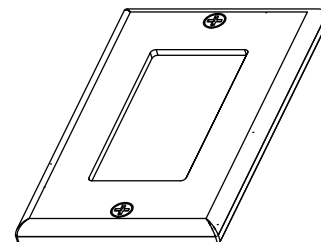


Decora Outlet

D



(4x) Outlet Screws
(Not Required)



Decora Plate with
(2x) Screws

E



(4x) 3/8" J-Box
Screw

F



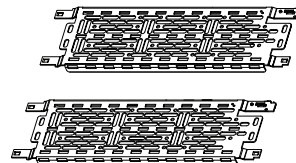
PET Ground
Screw

G



(2x) 1/4" Washer

H



4" Lever Lock™ Plate
(2x for 14" or 1x for 9" Height)

J



(20x) Lever Lock
Plate Washer

K

REQUIRED TOOLS

- No. 2 Phillips Driver
- Utility Knife
- Level With Ruler Edge
- Hammer
- Pencil
- Stud Sensor
- Power Drill
- 1/4" Drill Bit



WARNING: Use tools with caution and follow all necessary safety protocols.

AVERTISSEMENT: Utiliser des outils avec prudence et suivre tous les protocoles de sécurité nécessaires.

PLANNING CONSIDERATIONS

1. If installing the in-wall box (A) to bare studs (prior to drywall installation), extra care should be taken when finishing the wall around the box opening. Install the trim ring after drywall is completed.
2. The box is meant to be installed between wall studs. Identify the desired box location in the room. A stud sensor may be necessary to identify and mark the wall studs.
3. Consider how many devices are going to be mounted inside the box and where they will be positioned.
4. Knockouts on the box should be cleared prior to installation and based on your signal connection and power needs.
5. Identify existing electrical, plumbing, gas lines, and HVAC structural issues and prepare any necessary cable routing in advance with a qualified technician.



WARNING: All wiring should be installed by a licensed electrician following all local codes and ordinances.

AVERTISSEMENT: Tout le câblage doit être installé par un électricien agréé suivant tous les codes et règlements locaux.

CUTTING DRYWALL OPENING FOR THE BOX (IF NECESSARY)



WARNING: Electric Shock Hazard. Drilling or cutting into electrical wires and cables can cause death or serious personal injury. Confirm that the area behind mounting surfaces are free of electrical wires and cables prior to drilling, cutting, or installing any mount fasteners.

AVERTISSEMENT: Risque de choc électrique. Le forage ou couper en câbles électriques peuvent causer la mort ou des blessures graves. Vérifiez que la zone située derrière les surfaces de montage sont libres de câbles électriques avant le forage, la coupe, ou l'installation d'un montage des fixations.



WARNING: Explosion and Fire Hazard. Drilling or cutting into gas or plumbing lines can cause death or serious personal injury. Confirm that the area behind mounting surfaces are free of gas, water, waste, and any other plumbing before drilling, cutting, or installing any mount fasteners.

AVERTISSEMENT: Risque d'explosion et d'incendie. Forage ou coupe dans les conduites de gaz ou de plomberie peuvent causer la mort ou des blessures graves. Vérifiez que la zone située derrière les surfaces de montage sont exempts de gaz, l'eau, les déchets, ainsi que toute autre plomberie avant perçage, découpage, ou l'installation d'un montage des fixations.

1. Identify the desired location of your box between adjacent wall studs. Use a stud sensor and mark the location of the studs with a pencil.
2. Use a level and pencil to make a horizontal line between the two studs to mark the bottom opening for the box.
3. Confirm the stud locations by carefully drilling a small hole on each side where the horizontal line meets the mark made for the stud.

CUTTING DRYWALL OPENING FOR THE BOX (IF NECESSARY, CONTINUED)

4. Use the back of the box as a template to draw lines along tops and sides. Align the box to the lower corner (where the stud meets the horizontal line) and use a level on the top of the box to ensure correct alignment when drawing lines.

NOTE: A larger opening may be necessary to accommodate conduit connectors (not provided) grommets, and the included F7526-V1 duplex outlet power kit when attached to the box.

5. Use a utility knife to cut the opening for your box and carefully remove the drywall.

NOTE: The trim ring provides $5/16$ " coverage around the opening and may be used to hide minor drywall blemishes. (**FIGURE A**)

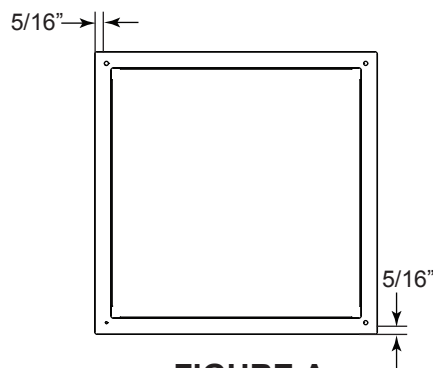


FIGURE A

REMOVING THE TRIM RING

1. Remove (4x) trim screws (B) to take the trim ring off the box as shown. (**FIGURE B**)

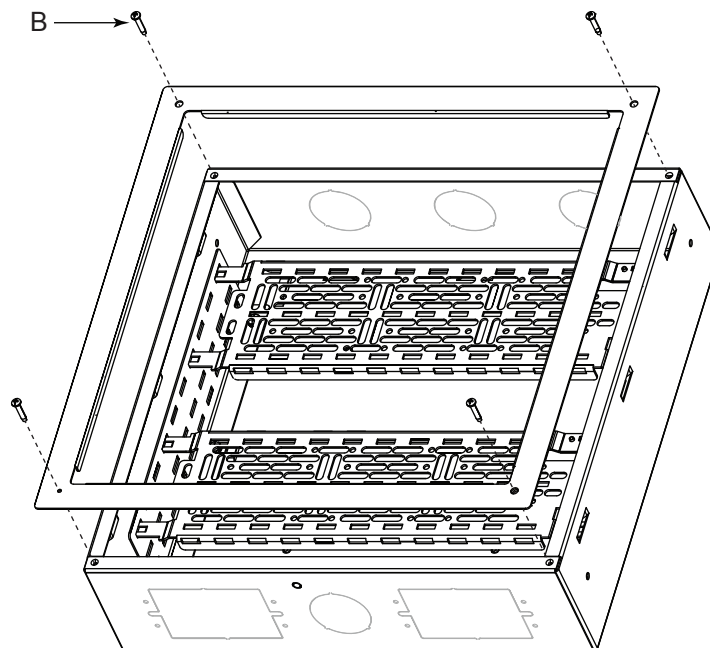


FIGURE B

CABLING THROUGH THE TOP OF THE BOX



WARNING: All wiring should be installed by a licensed electrician following all local codes and ordinances.

AVERTISSEMENT: Tout le câblage doit être installé par un électricien agréé suivant tous les codes et règlements locaux.

1. Use a hammer to knock out the top cable holes required to accommodate the devices you plan on installing in the box. (**FIGURE C**)

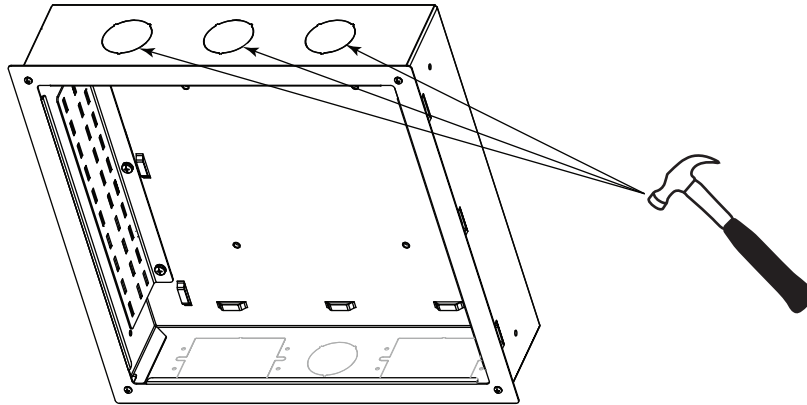


FIGURE C

2. Prepare all signal cables for passing through knockouts when mounting the box to the wall studs.

NOTE: Any punched openings not in use must be sealed with a suitable plug. Covers or panels that are removed must be replaced and secured.

RUNNING POWER TO THE BOTTOM OF THE BOX



WARNING: All wiring should be installed by a licensed electrician following all local codes and ordinances.

AVERTISSEMENT: Tout le câblage doit être installé par un électricien agréé suivant tous les codes et règlements locaux.

1. Use a hammer to knock out the electrical box rectangles and the hole to accommodate your power needs for the devices you plan on installing in the box. (**FIGURE D**)

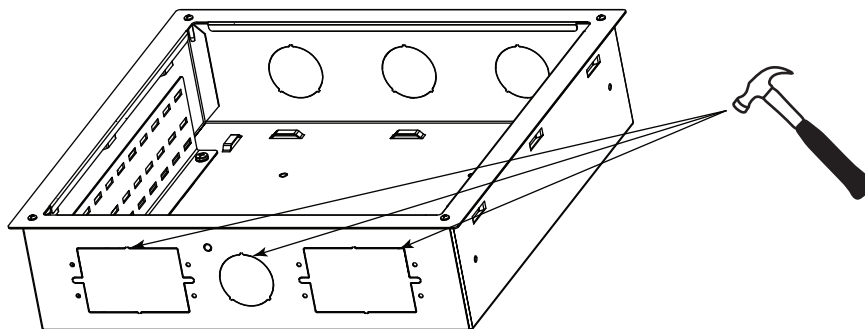


FIGURE D

2. Prepare all power cables for passing through knockouts when mounting the box to the wall studs.

NOTE: Any punched openings not in use must be sealed with a suitable plug. Covers or panels that are removed must be replaced and secured.

MOUNTING THE BOX TO WALL STUDS

1. Set the box between the wall studs through the drywall (if applicable). (**FIGURE E**)

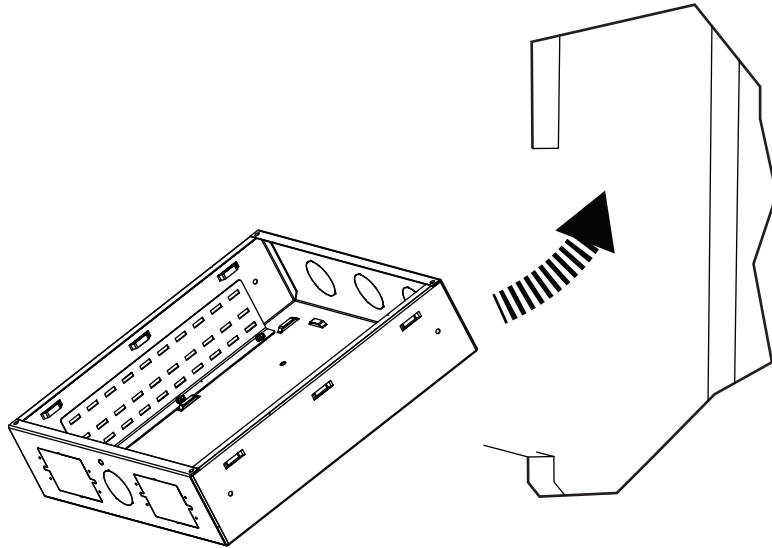


FIGURE E

2. Feed any cabling through their corresponding knockouts on the box.
3. Use a 1/4" bit to drill pilot holes through the mounting holes from the inside of the box, if desired.
4. Mount the box to the studs using (4x) #10 x 1 1/2" (minimum size) wood screws and (4x) #10 washers (screws and washers not provided) through the mounting holes from the inside of the box. (**FIGURE F**)

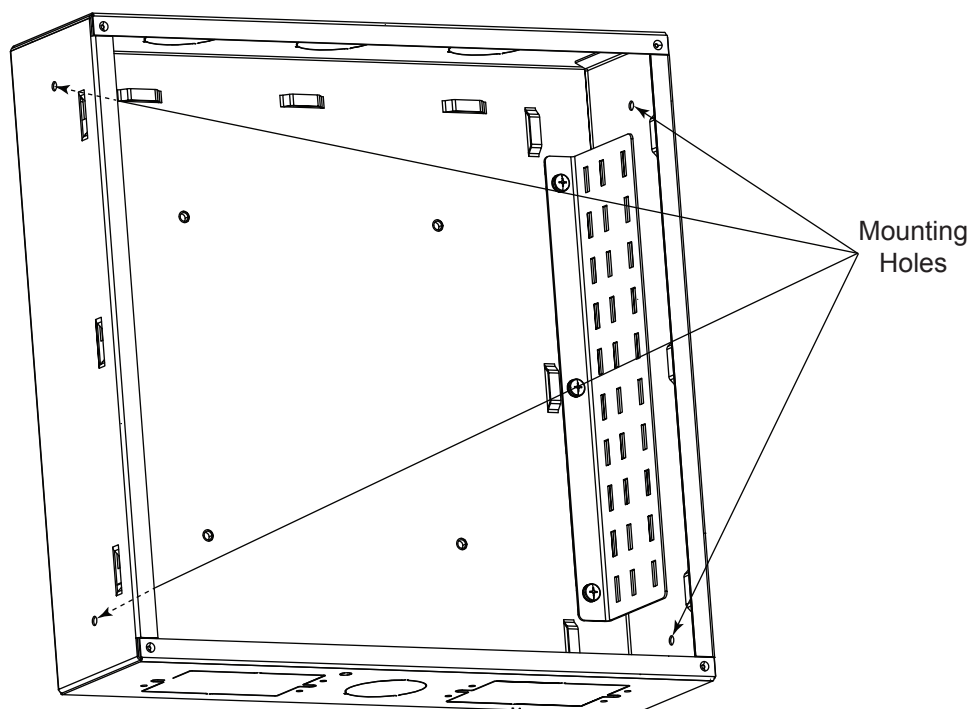


FIGURE F

MOUNTING THE BOX TO WALL STUDS (CONTINUED)

5. Attach any grommets (not provided) to the box, as desired.
6. Pass signal and power cables through all knockouts on the box.
7. Remove and discard any pre-installed screws from the Decora outlet prior to installation. **(FIGURE G)**

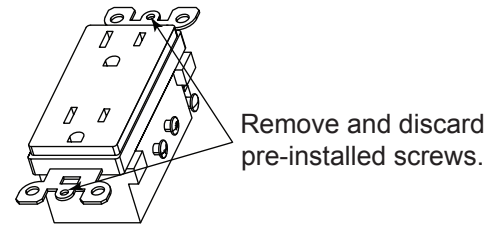


FIGURE G

8. From the inside of the box, secure the included F7526-V1 duplex outlet power kit's junction box (C), Decora outlet (D), and plate (E) to the desired location using the (4x) J-Box screws (F) as shown. **(FIGURE H)**

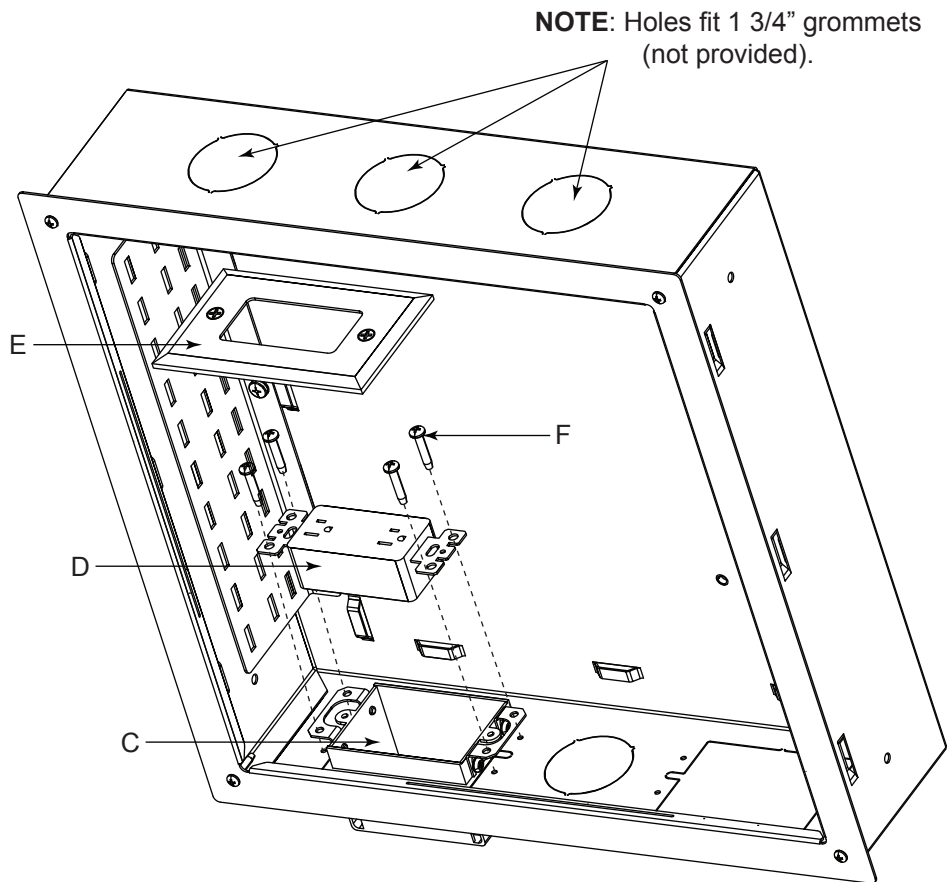


FIGURE H

NOTE: For information about connecting power to the outlet, see “Connecting Power to the F7526-V1 Duplex Outlet” on page 13.



WARNING: All wiring should be installed by a licensed electrician following all local codes and ordinances.

AVERTISSEMENT: Tout le câblage doit être installé par un électricien agréé suivant tous les codes et règlements locaux.

GROUNDING AND BONDING

A Protective Earth Terminal (PET) is located on the bottom frame of the enclosure. Protective earth and bonding connections shall be in accordance with Article 250 of the National Electric Code. When removing any bonded accessory for servicing the enclosure, make sure to disconnect the bonding terminal from the accessory. **NOTE:** The bonding terminal **MUST** be reconnected to the accessory when the part is replaced after servicing.

The main protective earth ground needs to be the first terminal placed on the PET and this terminal needs to be secured on its own using the ground screw (G) as shown. (**FIGURE J**)

NOTE: Outlet and junction box removed from subsequent views for clarity.

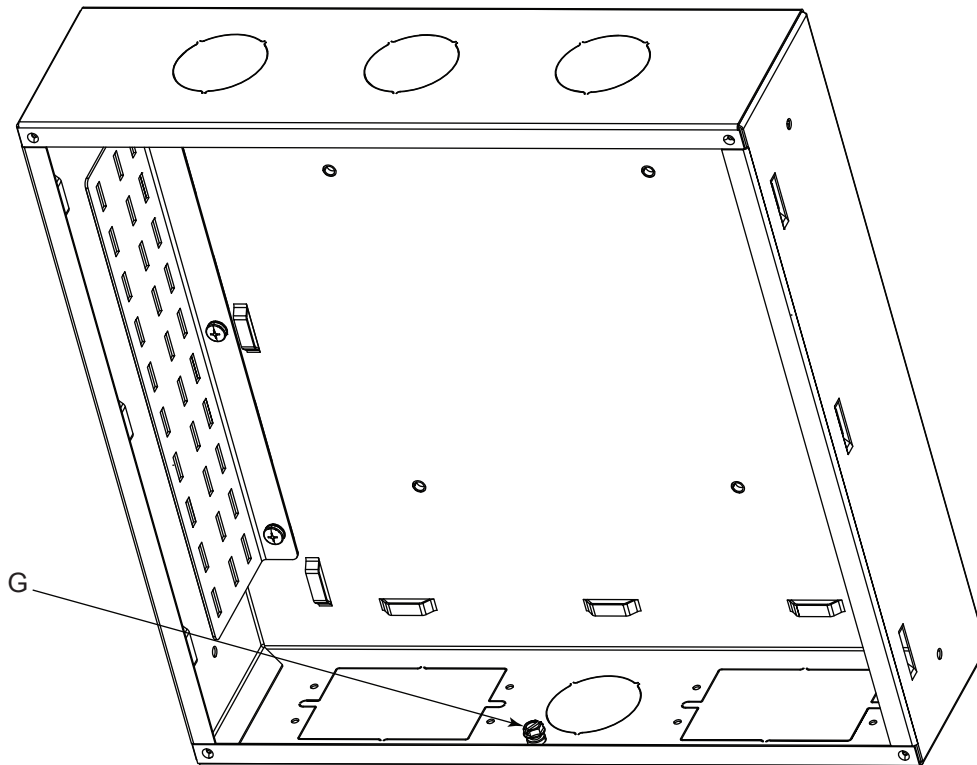


FIGURE J

INSTALLING OPTIONAL POWER DIST. UNIT (NOT PROVIDED) TO THE BACK OF THE BOX

NOTE: The clip for the RackLink Compact RLNK-215 (not provided) may be installed in a variety of configurations. The following procedure is meant to provide an example.

1. Use a 10-32 x 1/2" clip screw (not provided, included with your RLNK-215 or PD-215) and a 1/4" washer (H) to attach the clip for the compact to any of the (4x) 10-32 PEM on the back of the box. **(FIGURE K)**

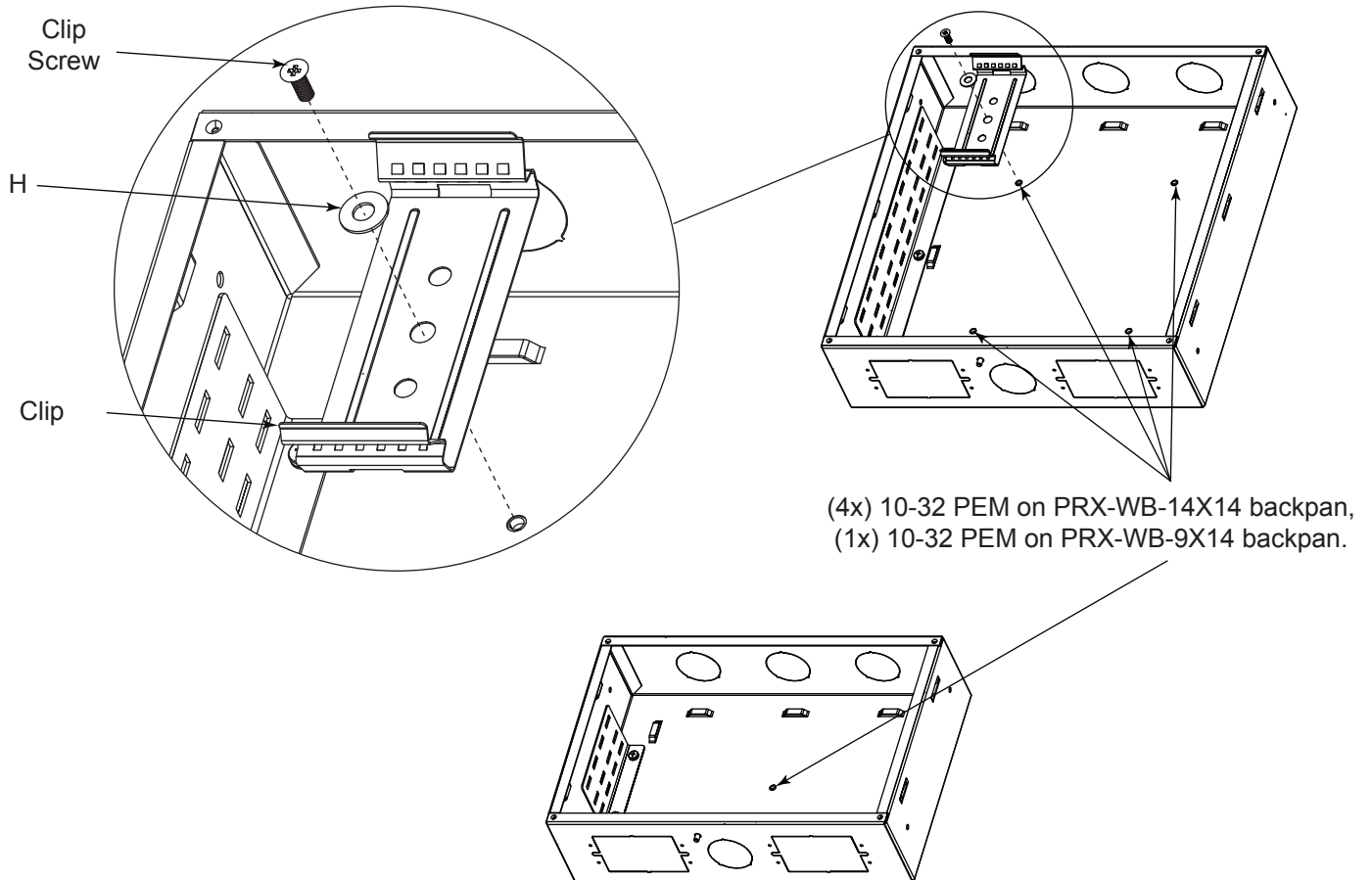


FIGURE K

INSTALLING LEVER LOCK PLATES

NOTE: Different sized Lever Lock plates may be used and components may be installed in a variety of configurations. The following procedure is meant to show the 4" Lever Lock plate (B) installation to get you started.

1. Insert the side of the 4" horizontal Lever Lock plate (J) without the clip into the brackets on the back of the box first. Then install the side with the clip until it clicks into place. (**FIGURE L**)

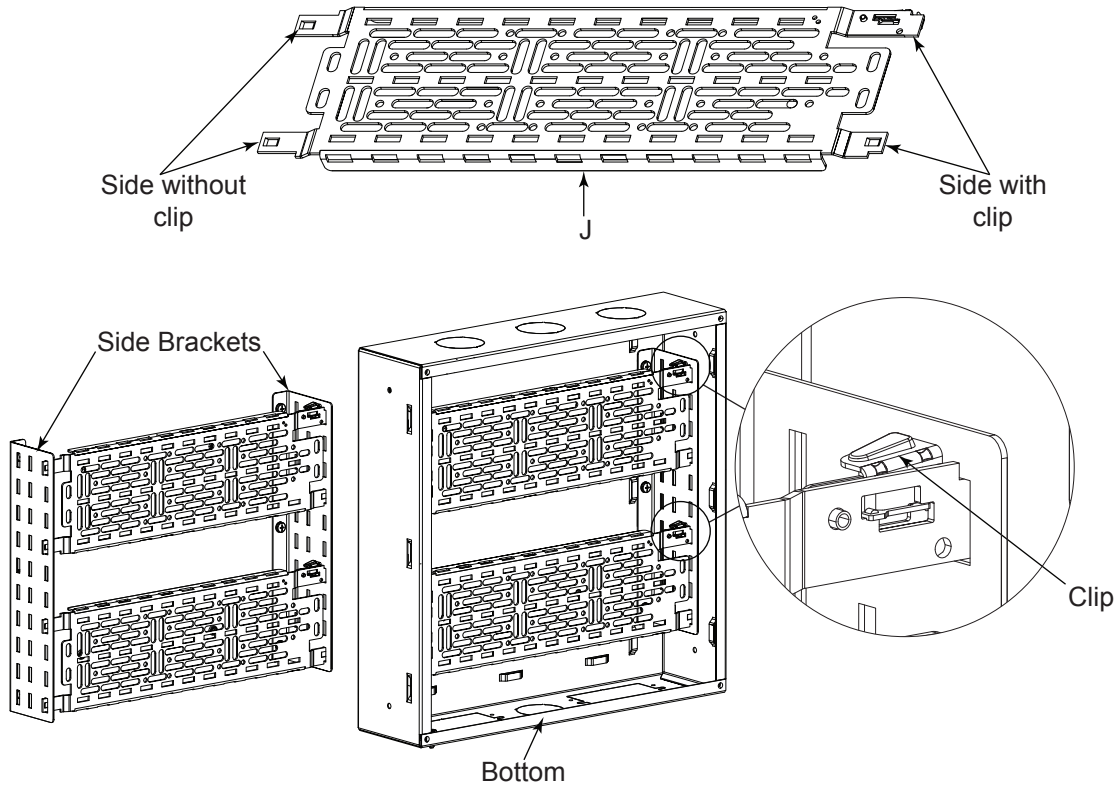


FIGURE L

NOTE:

- (20x) Lever Lock plate washers (K) are provided for equipment mounting convenience.
- Lever Lock plates may be installed on the side brackets at 3 different depths. All 4 corners of a Lever Lock plate must be inserted into the side brackets at the same depth in order to function correctly. (**FIGURE M**)

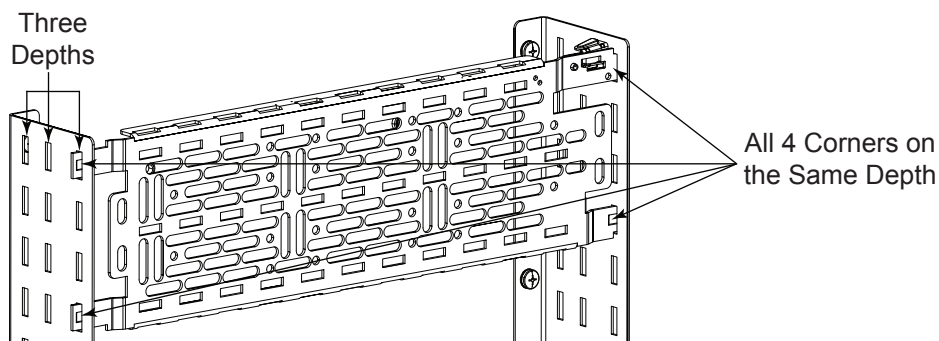


FIGURE M

INSTALLING THE TRIM RING

1. Use (4x) trim screws (B) to install the trim ring to the box as shown. (FIGURE N)

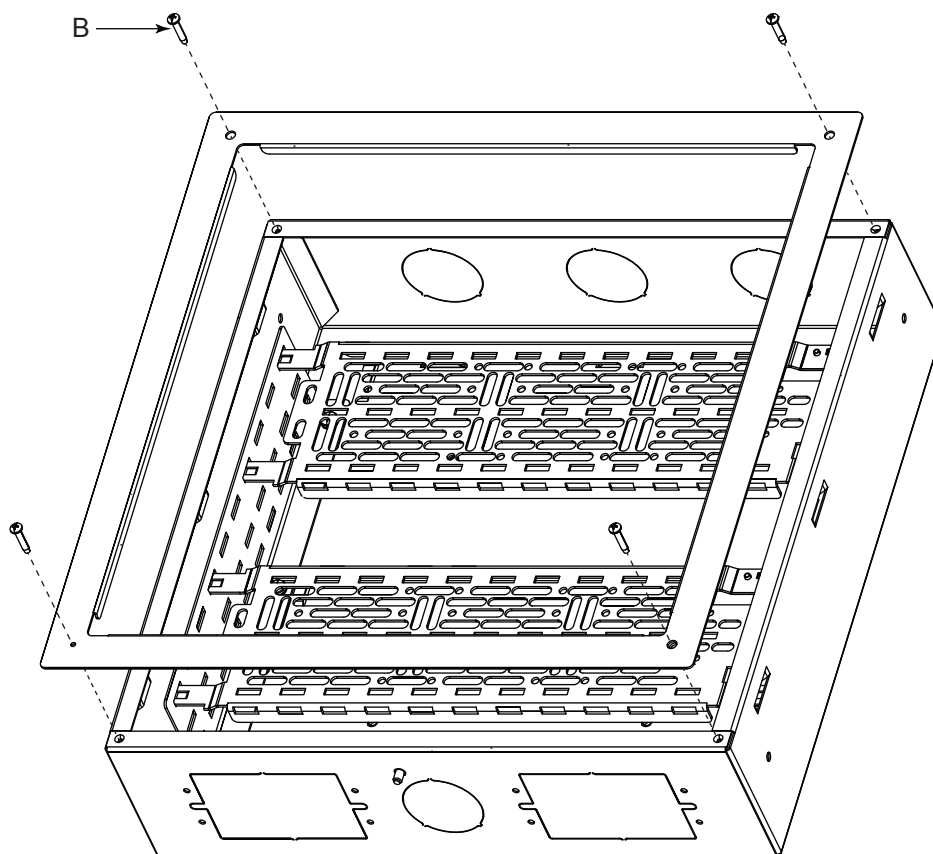


FIGURE N

CONNECTING POWER TO THE F7526-V1 DUPLEX OUTLET



WARNING: All wiring should be installed by a licensed electrician following all local codes and ordinances.

AVERTISSEMENT: Tout le câblage doit être installé par un électricien agréé suivant tous les codes et règlements locaux.



WARNING: Turn off power to outlet using breaker or fuses at service entrance. Verify power is off by testing with a circuit tester.

AVERTISSEMENT: Coupez l'alimentation électrique à la sortie en utilisant le disjoncteur de fusibles à l'entrée de service. Vérifiez l'alimentation est coupée en testant avec un testeur de circuit.



CAUTION: Use this device with copper or copper-clad wire only.

ATTENTION: Utilisez cet appareil avec du cuivre ou fil de cuivre vêtu seulement.

CONNECTING POWER TO THE F7526-V1 DUPLEX OUTLET

1. Remove power.
2. Strip wire insulation to expose end of wire to 3/4".
3. Attach wires as shown. (**FIGURE P**)
4. Tighten terminal screws securely.
5. Use feed-through terminals when wiring to another outlet downstream.
6. Mount outlet (D) as previously shown on page 9. (**FIGURE H**)
7. Restore power only when finished wiring the entire circuit.

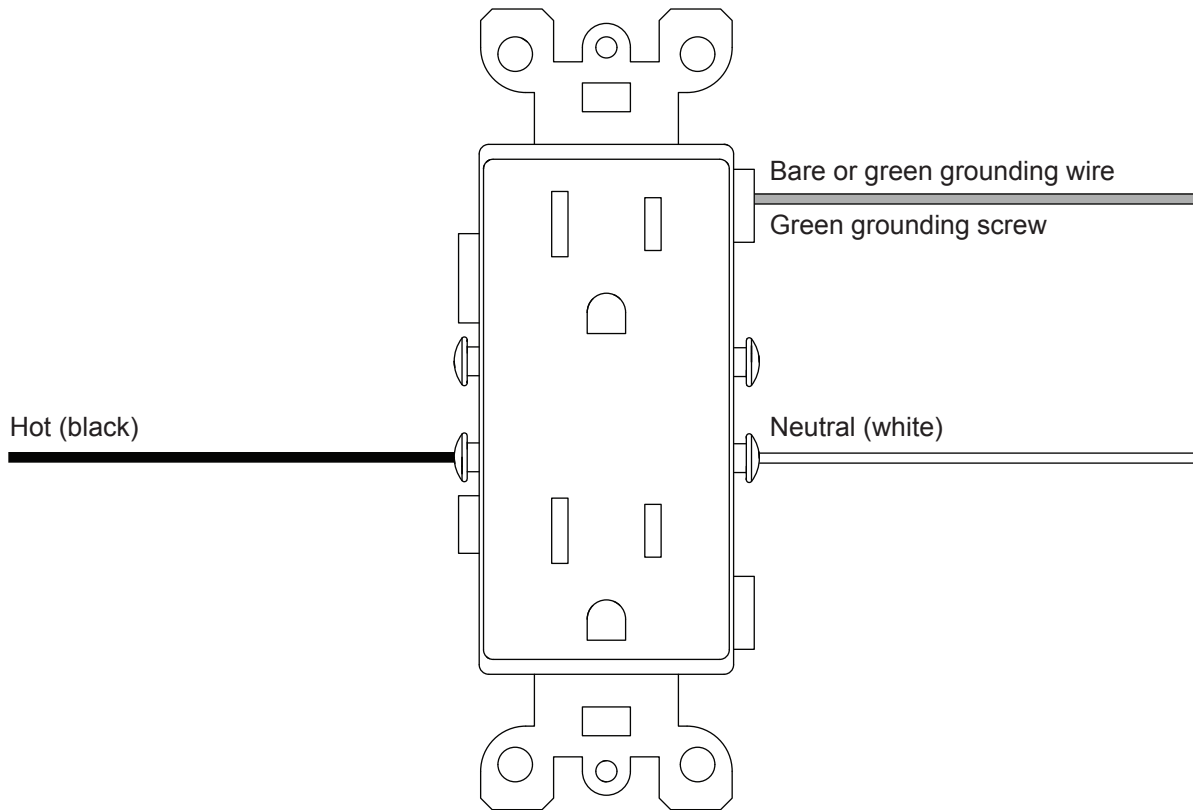


FIGURE P

WARRANTY

For warranty information, refer to <http://www.middleatlantic.com/company/about-us.aspx#warranty>

Corporate Headquarters

Corporate Voice: 973-839-1011 - Fax: 973-839-1976 / International Voice: +1 973-839-8821 -
Fax: +1 973-839-4982
www.middleatlantic.com - info@middleatlantic.com

Middle Atlantic Canada

Voice: 613-836-2501 - Fax: 613-836-2690 / ca.middleatlantic.com -
customerservicecanada@middleatlantic.ca

Factory Distribution

USA: NJ - CA - IL Canada: ON - BC

At Middle Atlantic Products we are always listening. Your comments are welcome.

Middle Atlantic Products is an ISO 9001 and ISO 14001 Registered Company.